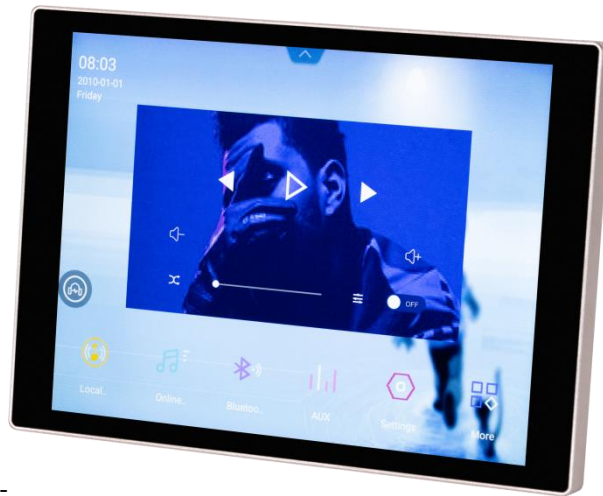


## DM868

### 8-Inch Wall-Mounted Smart Touch Panel with SD/Bluetooth/AUX/HDMI



9-

#### Description

This smart background music amplifier features an 8-inch TFT full-color HD display (1080 × 1440 resolution) with multi-point capacitive touch control, delivering an intuitive and responsive user experience. It is powered by a quad-core 2GB RAM processor and runs on the Android 6.0 operating system, with 2GB RAM and 8GB ROM for stable performance and smooth operation.

The system supports multiple wireless streaming protocols, including Apple AirPlay, DLNA, and QPlay, ensuring flexible compatibility with modern audio systems.

Equipped with WiFi, Bluetooth connectivity, timing power on/off functions, it also supports LAN-based multi-zone control and intercom functionality, making it ideal for smart commercial audio applications such as hotels, retail spaces, and office environments.

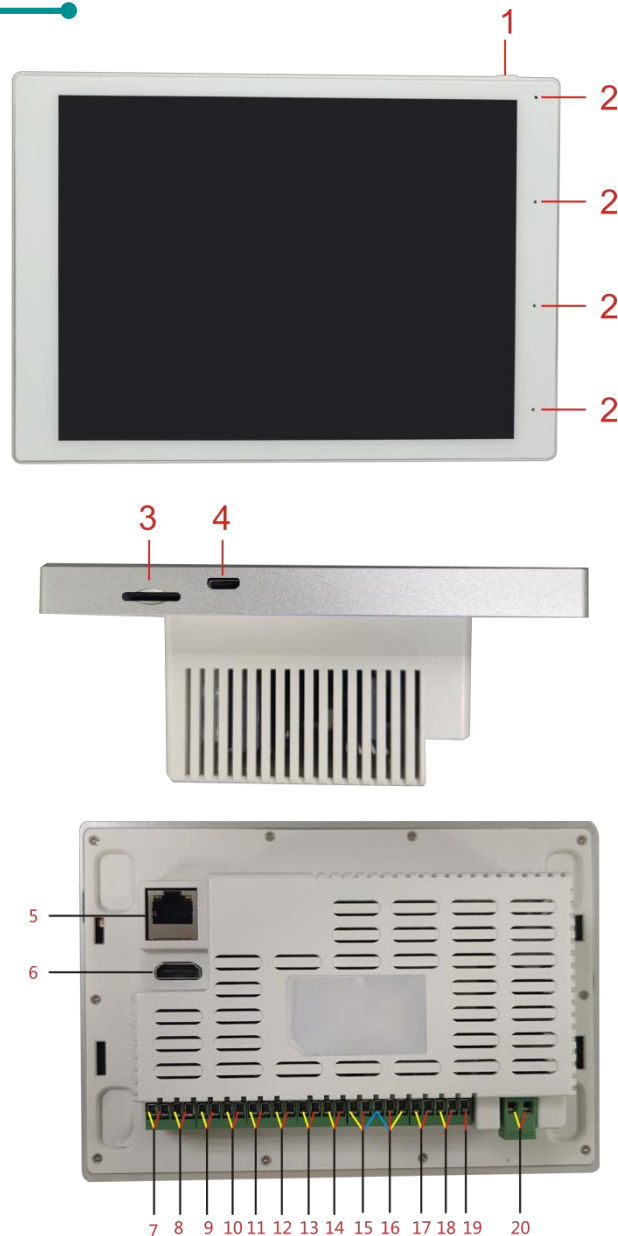
#### Features

- Supports LAN-based multi-zone control and intercom functionality.
- Supports 8-channel speaker output, with independent audio source control for two zones and 4-zone volume adjustment.
- Compatible with Apple AirPlay, DLNA, QPlay, and other streaming protocols, allowing users to stream music, videos, images, files, and applications from mobile devices to the host for playback or installation.
- Supports Bluetooth audio streaming from mobile devices.
- Supports external device control via RS485 communication interface.
- Supports both audio input and audio output functions for flexible system integration.
- Equipped with TF card slot and USB 2.0 interface, supporting external storage devices and hard disk connectivity.

#### Specifications

Model	DM868
Power Input	AC90-250V
Output Power	8*10W
Music Power	8*20W
Output Impedance	8Ω
Display Screen	8" TFT digital HD screen
Operating System	Android 6.0
Memory	2+8G
Audio Input (AUX)	1 group
Audio Output	1 group
WIFI Audio Push	Support
Bluetooth Audio Push	Support
Cable Box Cut-Out Size	175*110*70mm
Product Dimensions	182*130mm

## Front / Rear Panel

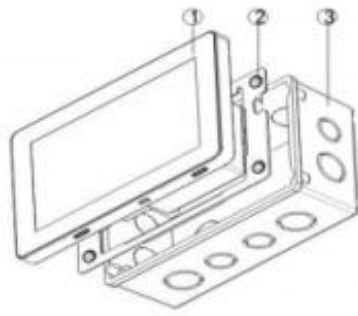


1. Power button: Press and hold the button for 3 seconds to power it on, and press and hold the button for

3 seconds to power it off when it is powered on; short press the button to enter sleep, and short press the button again to wake it up.

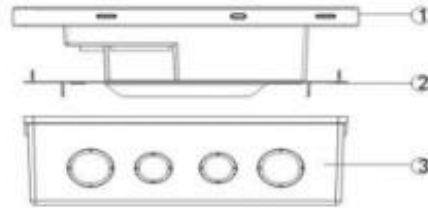
2. Digital microphone: 4 array digital microphones.
3. TF card slot: Insert a TF card into the slot with the notch to the right, up to 32G capacity.
4. Mini USB port: Mini USB socket: Can connect a standard 1.1, 2.0 USB flash disk through a connector, which can support a maximum capacity of 32G.
5. Network cable interface: Can be used when connecting to a wired network.
6. HD video output: Use a flat HDMI HD cable.
7. Constant-resistance ceiling speaker: Can connect 8Ω 10W constant-resistance ceiling speaker.
8. Constant-resistance ceiling speaker: Can connect 8Ω 10W constant-resistance ceiling speaker.
9. Constant-resistance ceiling speaker: Can connect 8Ω 10W constant-resistance ceiling speaker.
10. Constant-resistance ceiling speaker: Can connect 8Ω 10W constant-resistance ceiling speaker.
11. Constant-resistance ceiling speaker: Can connect 8Ω 10W constant-resistance ceiling speaker.
12. Constant-resistance ceiling speaker: Can connect 8Ω 10W constant-resistance ceiling speaker.
13. Constant-resistance ceiling speaker: Can connect 8Ω 10W constant-resistance ceiling speaker.
14. Constant-resistance ceiling speaker: Can connect 8Ω 10W constant-resistance ceiling speaker.
15. Audio output: Audio cable (two-core shielded cable: commonly known as microphone cable), RVVP2X0.5, RVVP2X0.75.
16. AUX audio input: Audio cable (two-core shielded cable: commonly known as microphone cable), RVVP2X0.5, RVVP2X0.75.
17. 485 control cable: Two copper core wires, with a single core of 0.75 square or more. The mark 8 in the figure indicates the two interfaces of the 485.
18. 5V output.
19. Reversed I/O interface.
20. Power input cable: Two copper core wires, with a single core of 0.75 square or more.

## Installation Methods



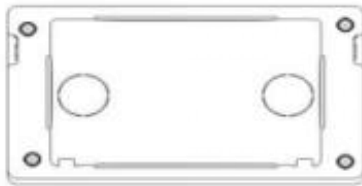
(1)

1. Installation Side View  
 ① Background music amplifier  
 ② Metal pendants  
 ③ Bottom box



(2)

2. Installation Bottom View  
 ① Background music amplifier  
 ② Metal pendants  
 ③ Bottom box



(3)

3. Embed the bottom box in the wall and fix the metal pendants in the bottom box.



(4)

4. After wiring, load the amplifier vertically into the bottom box and hang it on the metal pendants with a downward force.